

DIGITAL PROJECTOR | MW721

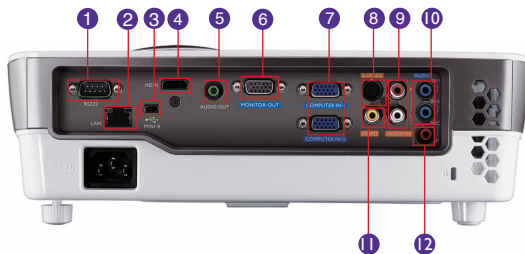


Features

- Native WXGA (1280 x 800) Resolution
- 3,500 ANSI Lumens, 13,000:1 Contrast Ratio
- Up to 6,000 Hours Long Lamp Life
- SmartEco™ Power Saving Technology
- LAN control and LAN display function



Input and Output Terminals



- | | |
|-----------------------------|-----------------------------------|
| 1 RS232 (DB-9pin) | 7 Computer In 1 & 2 (D-sub 15pin) |
| 2 LAN (RJ45) | 8 S-Video In (Mini DIN 4pin) |
| 3 USB (Type Mini B) | 9 Audio In L/R (RCA) |
| 4 HDMI | 10 Audio In (Mini Jack) |
| 5 Audio Out (Mini Jack) | 11 Composite Video In (RCA) |
| 6 Monitor Out (D-sub 15pin) | 12 Microphone in |

Specifications

Projection System	DLP®	
Native Resolution	WXGA (1280x800)	
Brightness	3500AL	
Contrast Ratio	13000:1	
Display Color	1.07 Billion Colors	
Lens	F2.59~2.87, f=16.88~21.88mm	
Aspect Ratio	Native 16:10 (5 aspect ratio selectable)	
Throw Ratio	1.21~1.57(76.5"@2m)	
Image Size (Diagonal)	44"-300"	
Zoom Ratio	1.3:1	
Lamp Type	240W	
Lamp Life	3500/5000/6000 hours	
Keystone Adjustment	1D, Vertical +/- 40 degrees	
Projection Offset	120%±5%	
Resolution Support	VGA(640 x 480) to UXGA(1600 x 1200)	
Horizontal Frequency	15-102KHz	
Vertical Scan Rate	23-120Hz	
Compatibility	HDTV Compatibility: 480i, 480p, 576i, 576p, 720p, 1080i, 1080p Video Compatibility: NTSC, PAL, SECAM	
Interface	Computer in (D-sub 15pin)	x 2(Share with component)
	Monitor out (D-sub 15pin)	x 1
	Composite Video in (RCA)	x 1
	S-Video in (Mini DIN 4pin)	x 1
	HDMI	x 1
	Audio in (Mini Jack)	x 2
	Audio in (L/R)	x 1
	Audio out (Mini Jack)	x 1
	Speaker	10W x 1
	USB (Type mini B)	x1 (Download & page/down)
	RJ45	x 1 (LAN Control & LAN Display)
	RS232 (DB-9pin)	x 1
	IR Receiver	x 2
Dimensions (WxHxD)	12.2" x 4.09" x 9.6"	
Weight	6.41 lbs (2.9kg)	
Power Supply	AC100 to 240V, 3.5A, 50 to 60 Hz	
Power Consumption	375W(Max), Standby<0.5W	
Audible Noise	33/30 dBA (Normal/Economic mode)	
On-Screen Display Languages	Arabic/Bulgarian/ Croatian/ Czech/ Danish/ Dutch/ English/ Finnish/ French/ German/ Greek/ Hindi/ Hungarian/ Italian/ Indonesian/ Japanese/ Korean/ Norwegian/ Polish/ Portuguese/ Romanian/ Russian/ Simplified Chinese/Spanish/ Swedish/ Turkish/ Thai/ Traditional Chinese (28 Languages)	
Picture Modes	Dynamic/Presentation/sRGB/Cinema/User 1/User 2	
Accessories (Standard)	Lens Cover, Remote Control w/ Battery, Power Cord (by region), User Manual CD, Quick Start Guide, Warranty Card (by region) Carry bag, VGA(D-sub 15pin) Cable	
Accessories (Optional)	Spare Lamp Kit	P/N: 5J.J6P05.001
	Ceiling Mount	P/N: 5J.J4N10.001
	3D Glasses	P/N: 5J.J7K25.001
	Case	P/N: 5J.J3T09.001
Limited Warranty	3-Year Parts & Labor / 1-Year or 2000 hours of lamp life	
UPC Code	8400460-2496-3	

*Lamp life results will vary depending on environmental conditions and usage. Actual product's features and specifications are subject to change without notice.



MW721 02-06-13-BQus



BenQ America Corp.
15375 Barranca Parkway, Suite A-205, Irvine, CA 92618 ☎ Tel: (949) 255-9500 🌐 www.BenQ.us

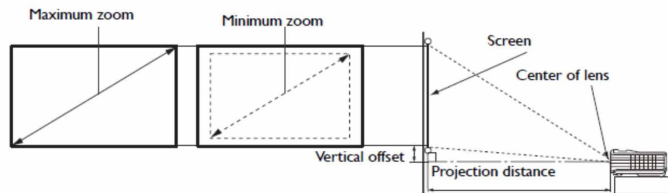
BenQ is a registered trademark of BenQ Corp. DLP® is a registered trademark of Texas Instruments. All rights reserved.
Product names, logos, brands, and other trademarks featured or referred to in this materials are the property of their respective trademark holders.
Specifications subject to change without notice.



MW721 Digital Projector

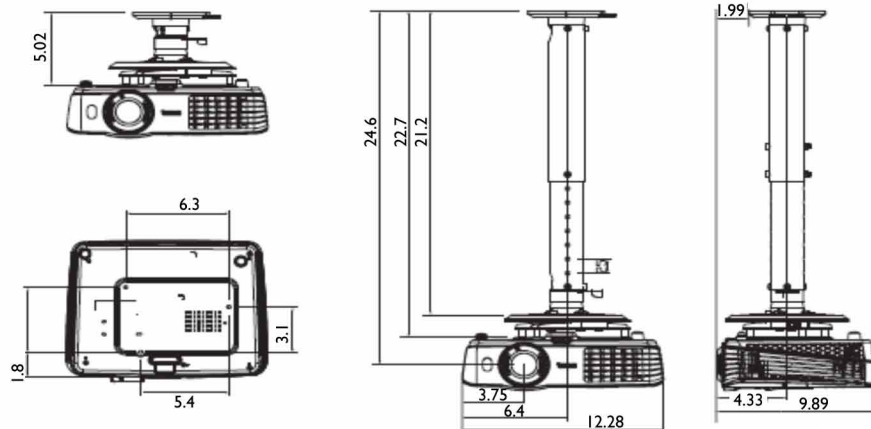
Distance Chart

Screen Size				Distance from screen (inch)			Vertical offset (inch)
Diagonal		W (inch)	H (inch)	Min length (Max zoom)	Average	Min length (Max zoom)	
Inch	mm						
40	1016	40	22	41.1	47	53.5	2.1
50	1270	42	26	51.4	59.1	66.8	2.6
60	1524	50	32	61.7	71.0	80.2	3.2
80	2032	68	42	82.3	94.6	107.1	4.2
100	2540	84	53	102.9	118.3	133	5.3
120	3048	102	64	123.5	142.1	160.5	6.3
150	3810	127	80	154.4	177.5	200.7	7.9
200	5080	170	106	205.8	236.7	267.5	10.6
220	5588	186	116	226.4	260.3	294.3	11.6
250	6350	212	132	257.3	295.9	334.5	13.2
300	7620	254	180	313.2	354.7	402.2	17.9



Wall Mount Chart

Ceiling Mount screw: M4
(Max L = 25 mm; Min L = 20 mm)



Unit: inch

Dimensions

